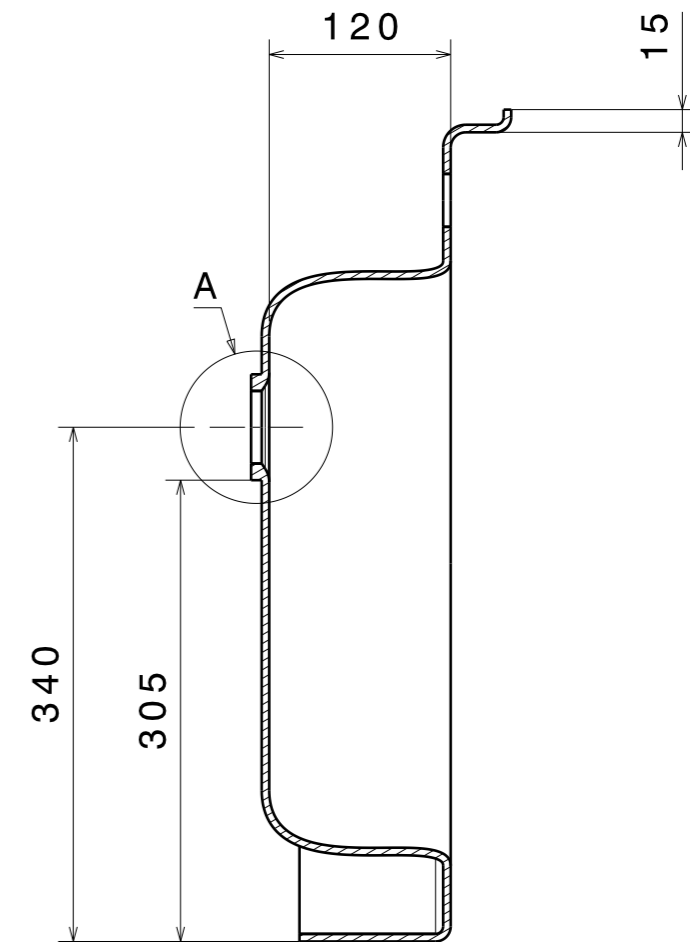
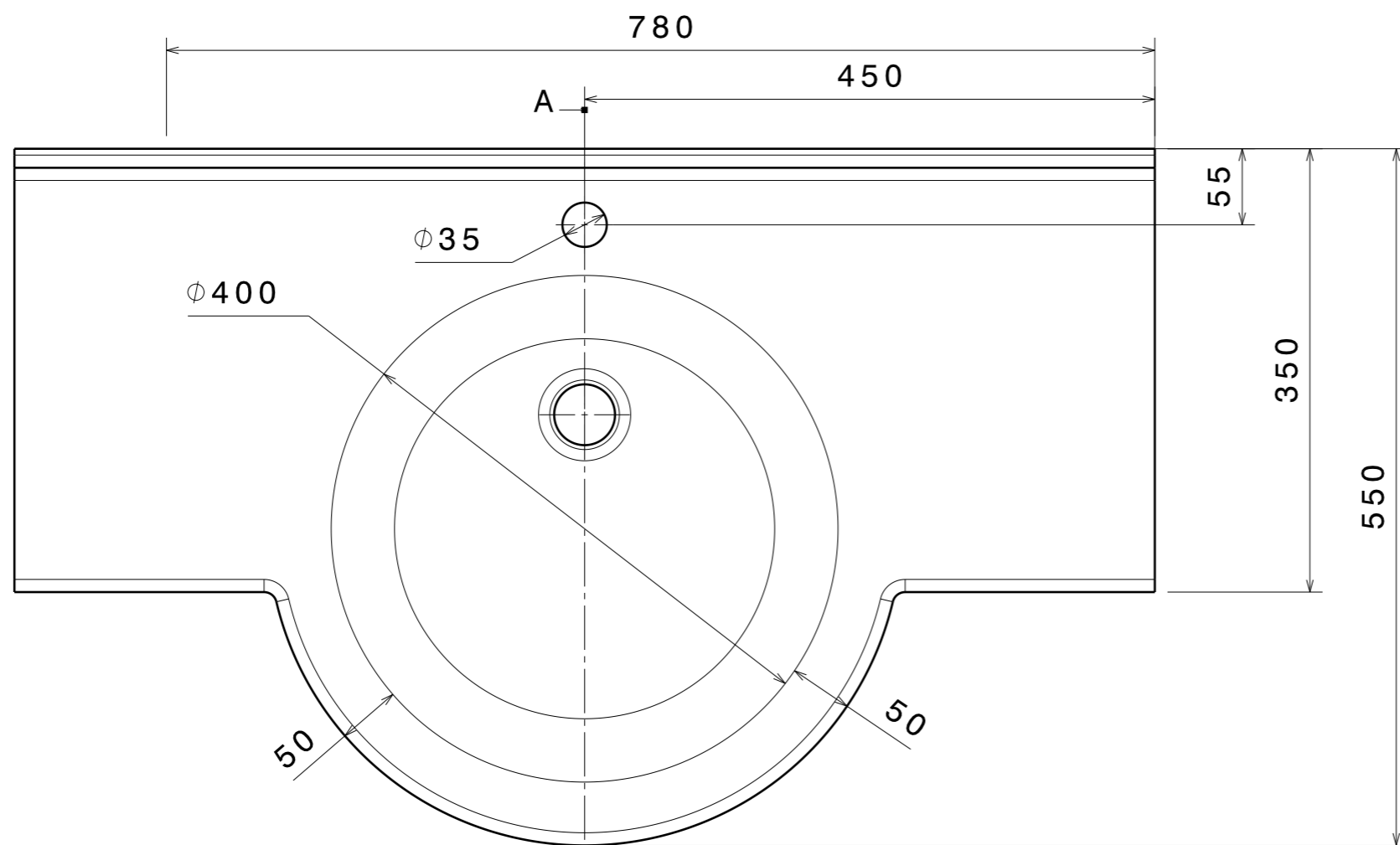
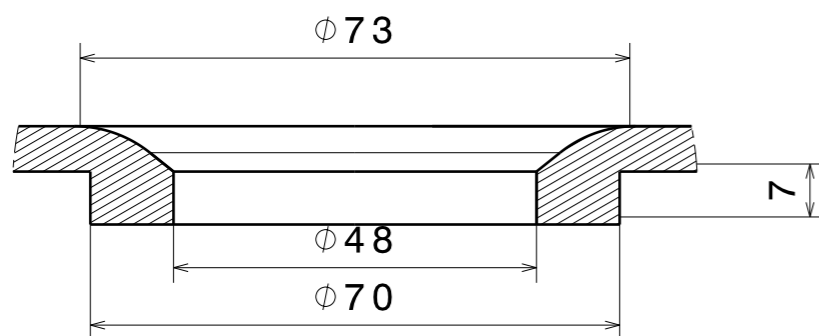


Coupe A-A



Détail A



<i>A</i>		11/09/2014	BRAHIM.J
<b>Version</b>		<b>Description</b>	<b>Date</b> <b>Intervenant</b>
<i>This drawing is our property, it can't be reproduced or communicated without our written agreement.</i>			
<b>Feuille:</b> <b>Folio:</b>	1/1	<b>Echelle:</b> <b>Scale:</b>	<b>A3</b>
		<b>Tolérance générale:</b> ± 2mm/m	<b>Matière:</b> GRP
		<b>Linéarité :</b> ± 1mm/m	<b>Protection:</b>
		<b>Epaisseur :</b> ± 1mm	<b>Sous-ensemble:</b>
		<b>Ensemble:</b>	<b>Set:</b>
		<b>Pièce/Part:</b> SUPETAR	<b>Etabli par:</b> BRAHIM.J
		<b>Numéro du document/Drawing number:</b> SUPETAR	<b>Date:</b> 11/09/2014



VECO INTERNATIONAL